

Oven | HA 845

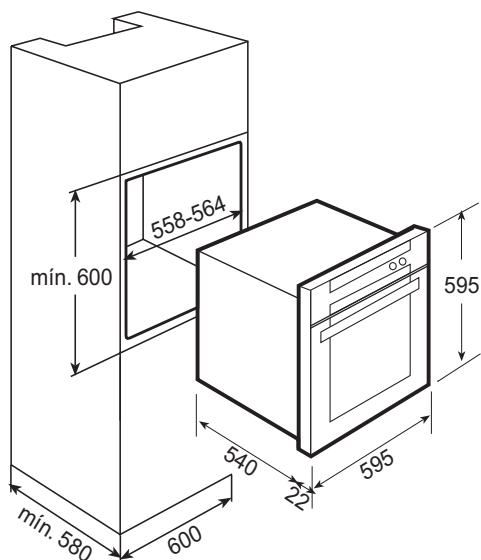


CHARACTERISTICS

- Multifunction oven
- 10 cooking functions
- 5 buttons digital panel
- Capacity: 56 litres
- Colours: Stainless steel (fingerprint proof).
- Multifunction turbo
- Maxi grill
- Pop-up control buttons
- Inner walls with Crystal Clean enamel
- Double glazed door
- Mix Chamber Refrigeration System
- Deep tray (50 mm) with Crystal Clean enamel
- Cooking grid



TECHNICAL DRAWING



Measurements in mm

Height/Width/Depth	595/595/562
Inner measurements:	
Height/Width/Depth	319/450/397
Capacity litres	56

Electrical connection

Power rate V.	220/230
Frequency Hz.	50
Maximum nominal power W.	2,693
Bottom heat W.	1,150
Grill/Maxi grill W.	1,500/2,600
Static Oven W.	2,250
Multifunction Turbo W.	2,000
Motor turnspit W.	-
Motor turbo W.	30
Motor cooling fan W.	18
Inner light W.	25

Features

Cooking functions	10
Analogic clock with star/stop programmer	-
Digital clock with start/stop programmer	*
Self-cleaning panels	-
Glazed cold door	2
Safety thermostat	*
Deep tray (50 mm)	1
Baking tray	-
Chromed tray guides	1
Turnspit	-