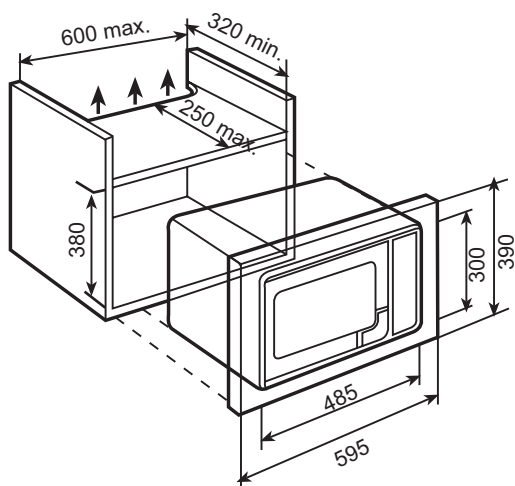


Microwaves | TMW 20.2 BIS



TECHNICAL DRAWING



CHARACTERISTICS

- Built-in concept
- Digital control panel
- Quartz grill power (1,000 W.)
- Colours: Stainless steel (Finger print proof)
- Capacity: 18 liters
- Five microwave power levels (800 W.)
- 3 cooking memories
- Forced air ventilation
- Digital timer, maximum 90 min.
- Automatic defrost by time and weight
- Children safety block option
- Integrated rotary turntable
- Stainless steel inner cavity
- Built-in frame included
- Overall measurements (w/h/d): 595, 390, 320 mm.

Measurements in mm

Height/Width/Depth	390/595/320
Inner measurements:	
Height/Width/Depth	210/305/280
Weight kg	24
Capacity litres	18

Electrical connection

Grill Power W.	-
Quartz grill power W.	1,000
MWO power W.	800
Maximum nominal power W.	1,200
Rated voltage V.	220/230
Frequency Hz.	50

Features

Stop button rotary turntable	-
30 seconds button	-
Cooking grids	1
Power levels	5
Defrosting by time/weight	*
Touch Control panel	-
Timer (min.)	90
Cooking memories	3